

WR PATENT NEWS # 2007-44

PATENT US1876473 SPAETH 1932 PLUMB BOB AND CHALK LINE US909846 CAVILEER 1909 COMBINATION PLUMB BOB AND CHALK LINE HOLDER

Theme: combination plumb bob and chalk line

In WR PATENT NEWS 2007-22 I wrote about the CAVILLEER 1909 plumb bob /chalk line combination produced by RIDGELY (left).



A very similar looking combination is the SPAETH from 22 years later. (Right)

It has a different handle that is fixed to the axle and not separately useable as a pin. (End of the chalk line)



Sept. 6, 1932.

F. C. SPAETH ET AL.

1,876,473

PLUMB BOB AND CHALK LINE

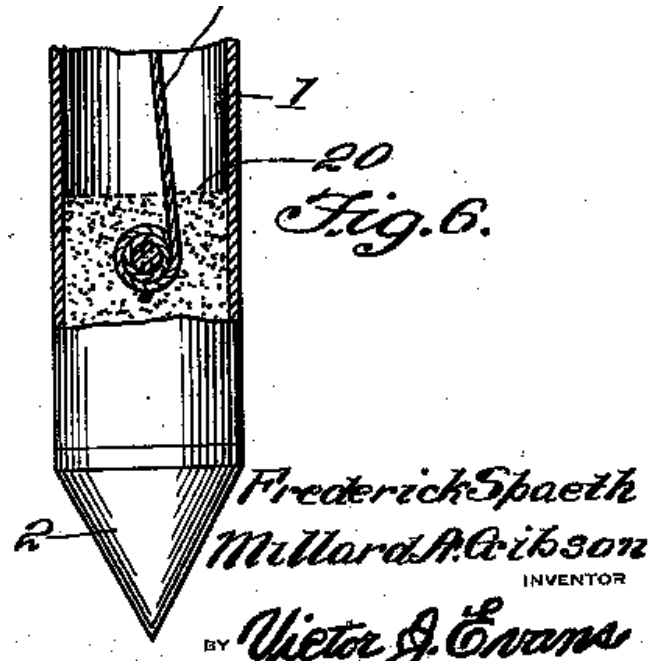
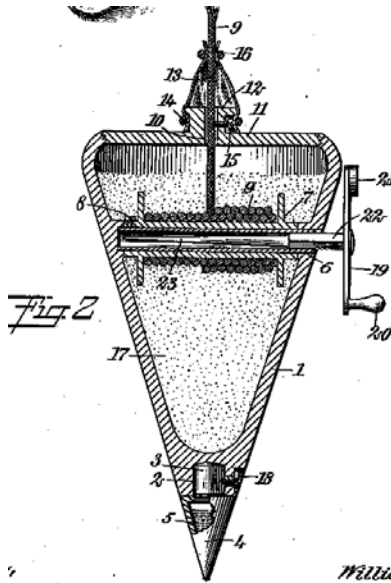
Filed March 12, 1930

An object of the present invention is the provision of a hollow plumb bob and chalk line having a shaft upon which the plumb line is wound, and a handle of a particular and peculiar construction connected with the shaft for turning the same to wind or unwind the line on the shaft and to likewise lock the line to the plumb bob when the same has been wound or unwound for a predetermined and desired distance.

A further object is the provision of a plumb bob and chalk line that comprises a body member in the nature of a shell, a head and a point, together with a transverse shaft upon which one end of the plumb line is fixed, guide means for the plumb line through the head, a swingable handle on the shaft for turning the latter, and said handle having a knob end that is received through the body shell and into the point at its connection with the body shell for locking the shaft from turning and for likewise preventing the accidental displacement of the point from the body.

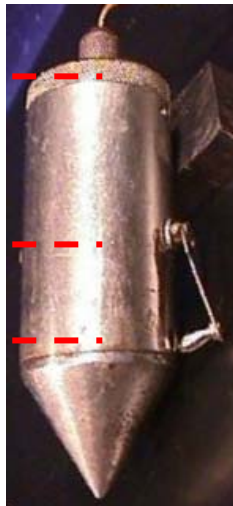
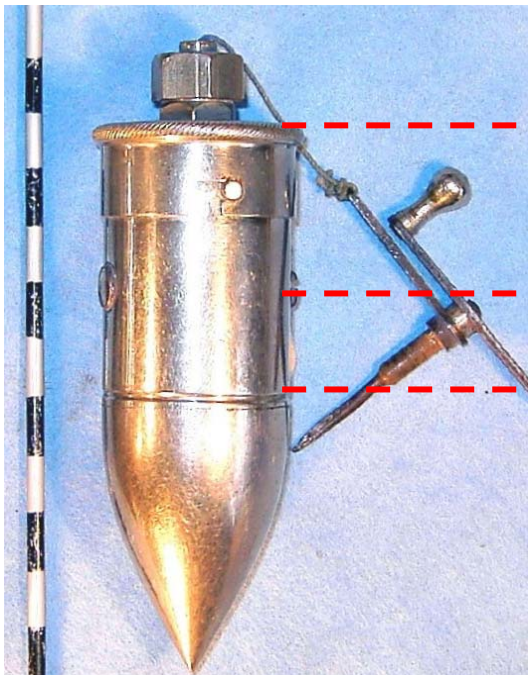
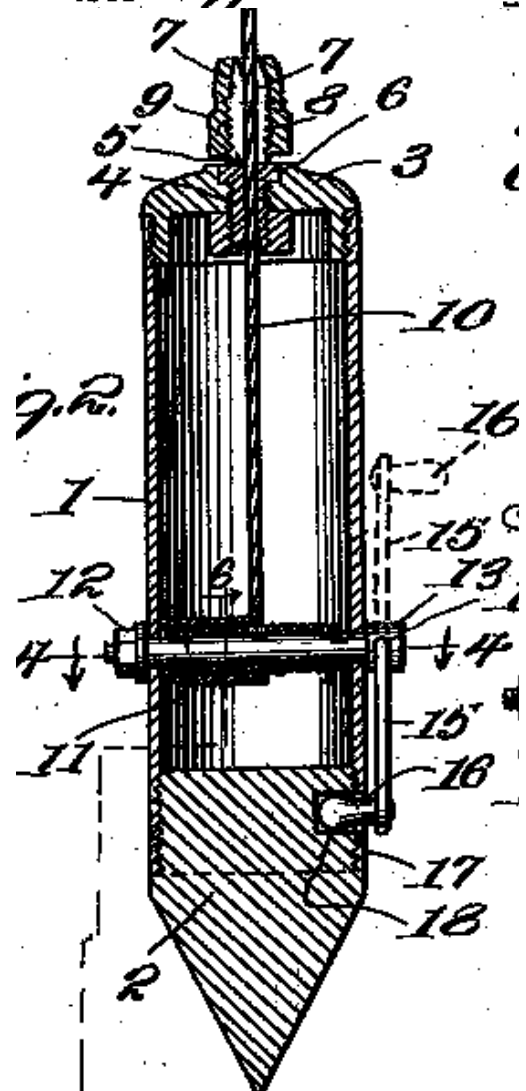
PATENT NEWS especially for PLUMB BOB COLLECTORS

POSITION OF THE AXE:

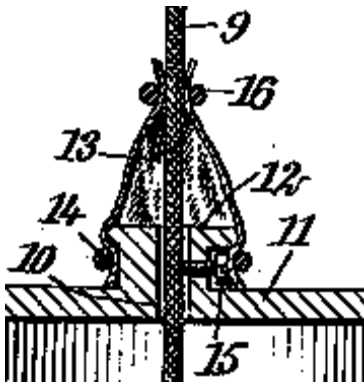


While the RIDGELY (IN THE PATENT) has the axe with the line in the UPPER part, we find the axe of the SPAETH in the LOWER part of the body. That is better because it works longer (Also a reduced quantity of chalk has still contact with the line).

If you compare the PRODUCED tools the difference is not so big as in the patents.



PATENT NEWS especially for PLUMB BOB COLLECTORS

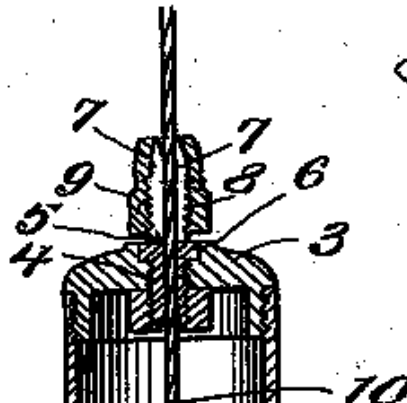
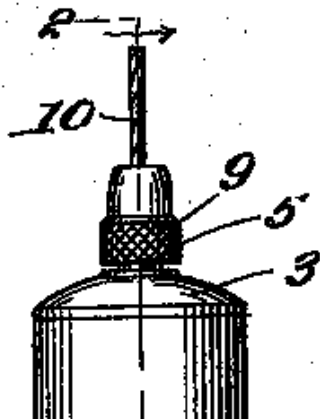


Here you see the wiper and stopper of the CAVILLEER/RIDGELY.

Compare the patent with the produced tool, it is DIFFERENT!



The stopper of the SPAETH is better, but you can't use a VERY THIN line. A wiper function is not mentioned-

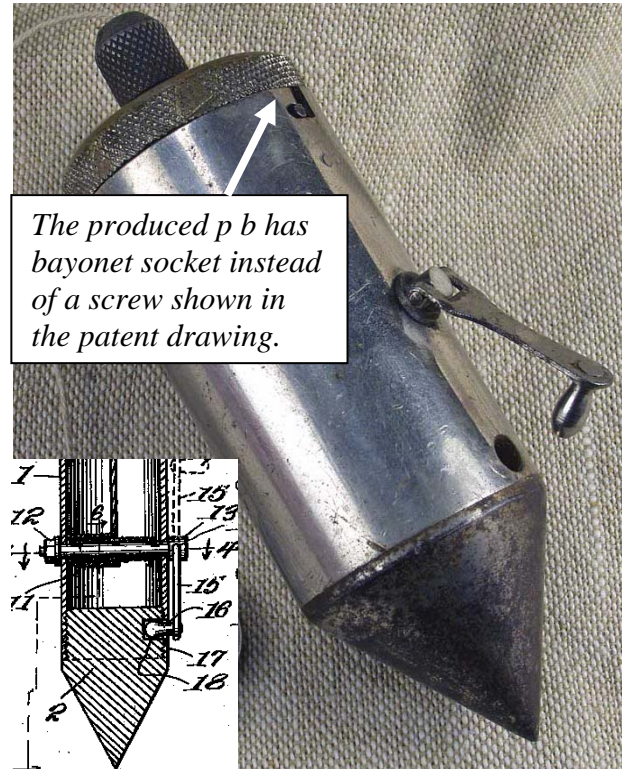
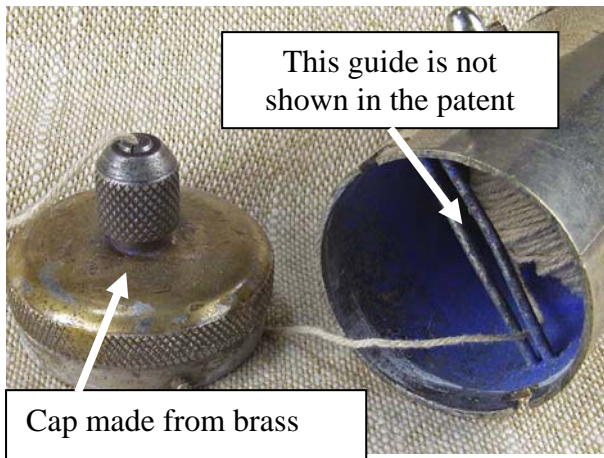


The head is centrally formed with a threaded opening, and in this opening there is screwed the tubular body portion 4 of a plumb line guide 5. The body merges into a head 6 that is seated in a depression in the outer face of the head, and from the said head the body merges into split spring clutch fingers 7 provided for a portion of their length with threads 8. The fingers have their outer faces arranged angularly or slightly curved and the said fingers are designed to be received in the bore of a nut member 9 which is screwed in the threads 8. By adjusting the nut member 9 the fingers may be brought toward or away from each other to either clutch or disengage therefrom the plumb line 10. The



PATENT NEWS especially for PLUMB BOB COLLECTORS

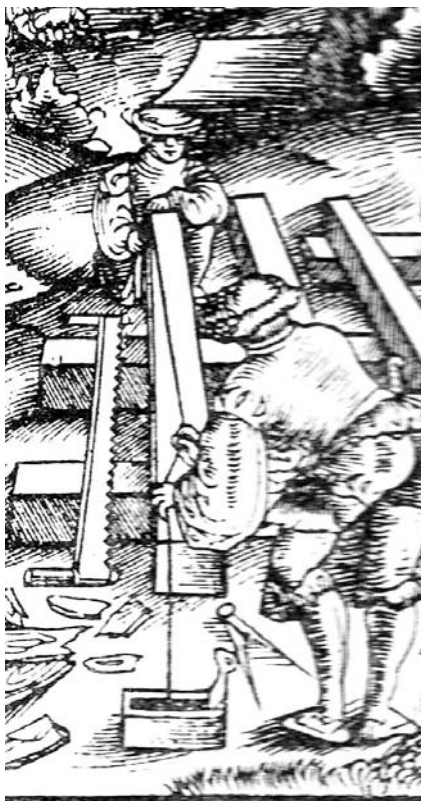
The close-up photos are from the collection of Nelson Denny (his # 305):



With a device as above described it will be noted that the plumb line 10 may be readily wound or unwound from the shaft 11 by merely turning the handle 15 and likewise by adjusting the nut 9 the clutch fingers 7 will frictionally engage with the line to prevent the free movement of the plumb bob thereon. As a matter-of-fact, the nut may be adjusted to cause the fingers to engage with the plumb line with sufficient friction as to prevent the movement of the plumb bob on the line.

The shell body 1, at its connection with the reduced and threaded end of the point 2 is provided with a round opening 17 that registers with a notch 18 in the point 2. When the handle has been turned to arrange the plumb bob at a desired position on the plumb line 10, the handle is swung on its pivots 19 and the knob 16 thereof is brought through the opening 17 and into the notch 18. It will be noted that the shaft 11 is effectively held from turning and that the point 2 is locked on the hollow body or shell 1 so that danger of its accidental disassociation from the body is thus prevented.

USE OF A CHALK LINE by carpenters in 1531.



This SPAETH combination PLUMB BOB and CHALK LINE seems to be very rare!