

PATENT NEWS especially for PLUMB BOB COLLECTORS

WR PATENT NEWS # 2007-21

Patent US668998 NAPIER 1901

Patent US316530 DOWNIE & HARDIN 1885

Design patent US206765 EVANS

After talking about chalk lines last week I will show you today and next week patented combinations of plumb bob and chalk line.

Thanks to Riccardo for the excellent pictures of the NAPIER in his collection.

The tip of the tool is a little bit different as shown in the patent drawing.

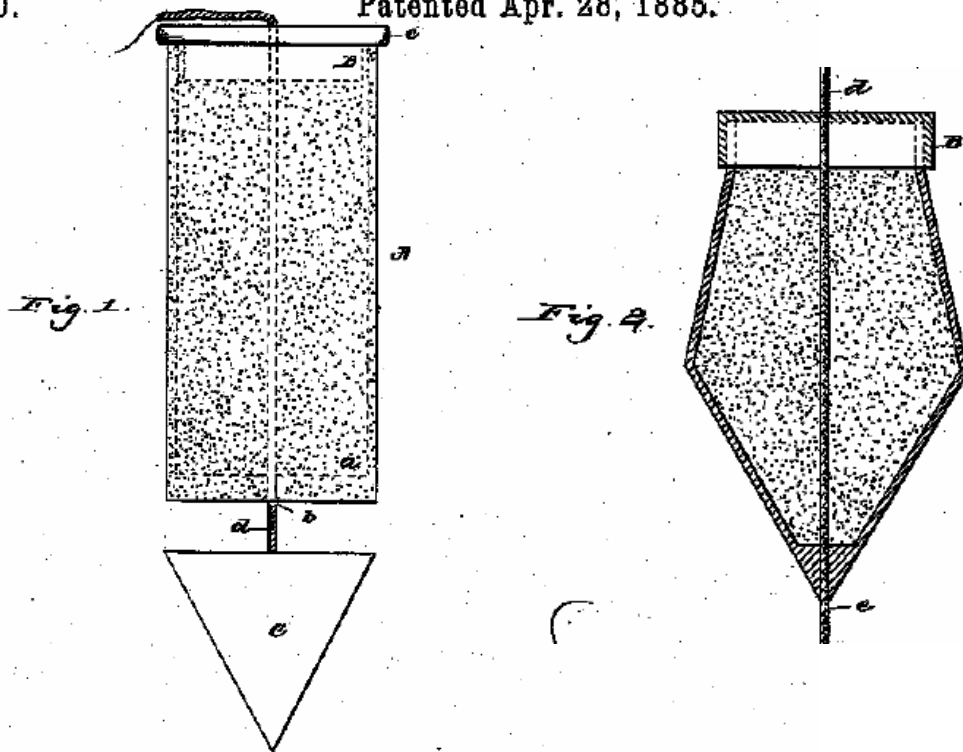


PATENT NEWS especially for PLUMB BOB COLLECTORS

The oldest combination plumb bob / chalk line that I found was:
patent US316530 DOWNIE & HARDIN 1885 LINE CHALKER AND PLUMB BOB

It is a very simple solution (Fig 1): Box with powder and plumb bob fixed on a line that goes through the powder, or a modification (Fig 2): plumb bob shape filled with powder.

J. L. DOWNIE & J. E. HARDIN.
LINE CHALKER AND PLUMB BOB.
No. 316,530. Patented Apr. 28, 1885.



His INVENTIONS

Our invention relates to a line-chalker and plumb-bob, and it has for its object to provide devices of this character which shall be cheap and simple in their construction, strong and durable, efficient, and easily operated.

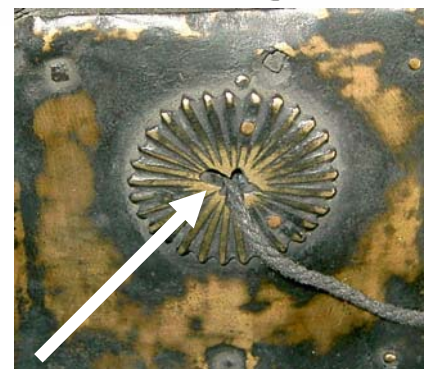
With these ends in view the invention consists in the combination with a casing adapted to receive chalk or other marking material, said casing having an opening at each end and provided with means for the admission of the marking material therein.

The invention further consists in the combination, with a suitable casing having a removable cap or top piece, of an opening in the cap or top piece and in the closed end of the casing, and a cord having a bob attached thereto.

and his CLAIMS

1. The combination, with a suitable casing adapted to contain a marking material and having openings for the passage of a cord, of a bob attached to one end of said cord, substantially as set forth.
2. The combination, with a suitable casing adapted to contain a marking material having an opening at one end and a removable cap having an opening, of a plumb-bob and a cord attached to said bob and passing through the openings of the casing, substantially as set forth.

In this very first patent the inventor didn't write about details as "How is the entry and exit of the line" etc. The use of this tool would be very dirty, because the powder came out of the body after short time of use. The abrasion of a brass guide you can see is this small picture of one of my Chinese chalk line / plumb bob.©



PATENT NEWS especially for PLUMB BOB COLLECTORS

Patent US668998 NAPIER 1901 is the first real working combination that works correctly as a chalk line and as a plumb bob. Pictures see page 1.

No. 668,998.

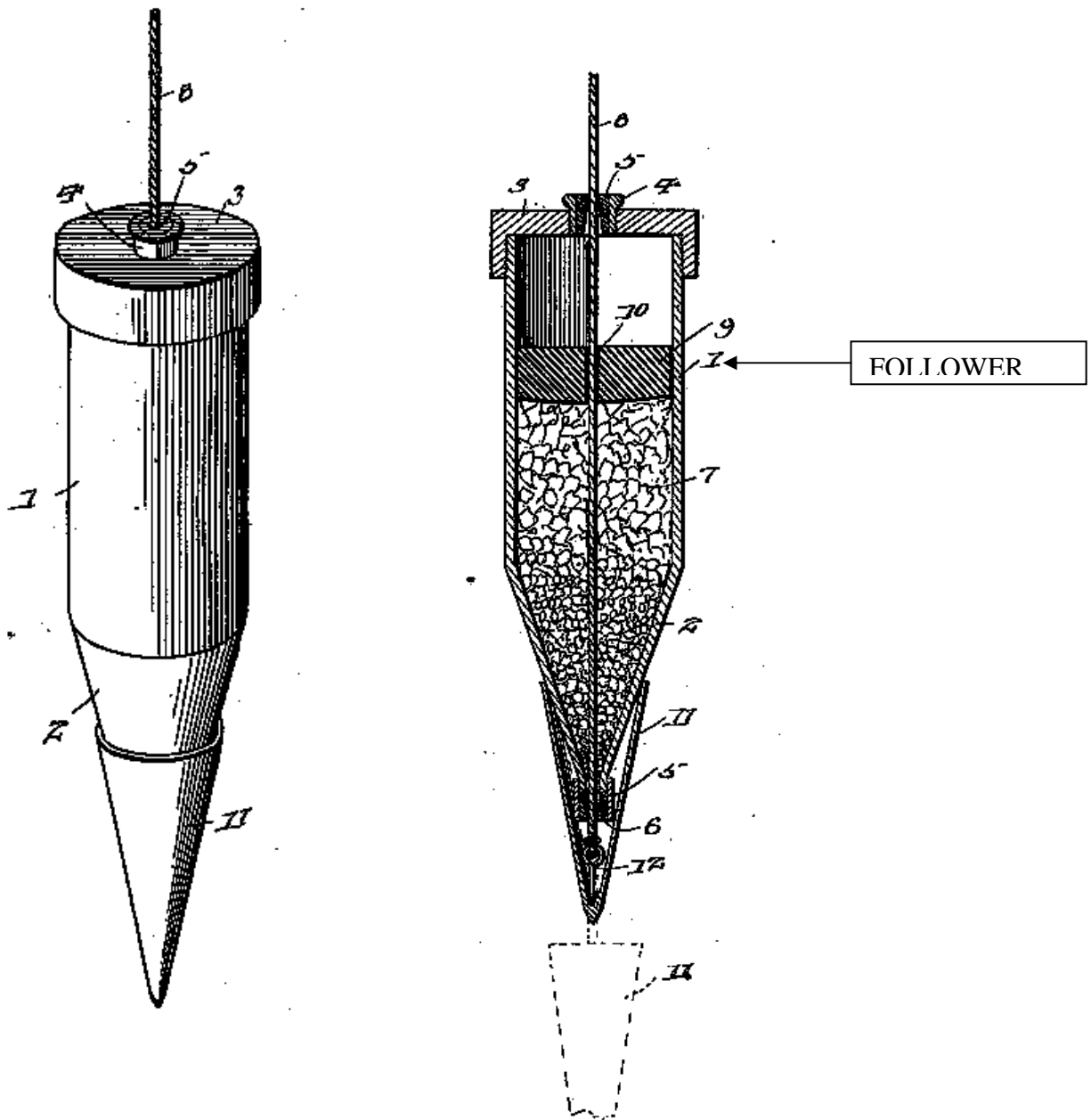
Patented Feb. 26, 1901.

F. J. NAPIER.

COMBINED LINE CHALKER AND PLUMB-BOB.

(Application filed June 20, 1900.)

(No Model.)



PATENT NEWS especially for PLUMB BOB COLLECTORS

Napier's INVENTION

This invention relates to chalk-lines for carpenters, masons, and the like, and has for its object to provide an improved device for chalking a chalk-line and which is also arranged to form a plumb-bob. It is further improved designed to provide the device with improved means for insuring the proper application of chalk to the line and to hold the chalk tightly packed within the device.

The FOLLOWER

tently chalked. It will be understood that after the line has once been applied to the casing it is merely necessary to slide either one of the members upon the other to bring the chalk into contact with as much of the line as may be desired.

In order that the chalk or other powdered material may be conveniently packed, a rubber or other follower in the form of a disk 9 is loosely fitted within the casing and provided with a central opening or perforation 10 for the loose reception of the line, so that the follower may always rest upon the upper surface of the powdered chalk to hold the latter in a proper packed condition.

It will now be apparent that by having the packings or bushings of the nipples provided with outwardly-tapered bores, the smallest parts of which frictionally embrace the cord, the chalk will be prevented from escaping from the casing and will be effectively pressed into the line, so as to insure a proper chalking thereof.

RUBBER or like BUSHING or PACKING

Referring to the drawings, 1 designates the body of the present device, which is in the form of a tubular casing having a conical lower end 2. The upper end of the casing is open and is normally closed by means of a suitable screw cap or cover 3, having a central screw-threaded opening for the removable reception of a small metallic nipple or tube 4, which is provided with a rubber or like bushing or packing tube 5, having its bore tapering outwardly. The opposite conical end of the casing is also provided with an opening in line with the opening in the cover, and the extremity thereof is externally screw-threaded for the removable reception of an internally-screw-threaded metallic nipple 5,

His CLAIM

5 What is claimed is—

1. A line-chalker, comprising a casing for containing marking material, and provided in its opposite ends with corresponding perforations, a follower loosely held within the casing, and a line passing loosely through the corresponding perforations and also through a perforation formed in the follower.

4. A combined line-chalker and plumb-bob, comprising a tubular casing, having a conical

end, the apex of the latter being provided with a perforation, a removable cover for the opposite end of the casing; and having a central perforation, a line passing loosely through the perforations, a follower loosely received within the casing, and having a central perforation for the loose reception of the line, and a hollow conical cap to snugly receive the conical end of the casing, the adjacent end of the line being secured to the inner side of the apex of the cap.

PATENT NEWS especially for PLUMB BOB COLLECTORS

One of the modern chalk lines that we find often is the Design patent US 206765.

United States Patent Office

Des. 206,765
Patented Jan. 24, 1967

206,765

COMBINED CHALK LINE MARKER AND PLUMB LINE, OR SIMILAR ARTICLE

Robert W. Heuer, North Brunswick, N.J., assignor to
Evans-Aristocrat Industries, Inc., Elizabeth, N.J., a cor-
poration of New Jersey

Filed Feb. 8, 1966, Ser. No. 964

Term of patent 14 years

(Cl. D32--1)

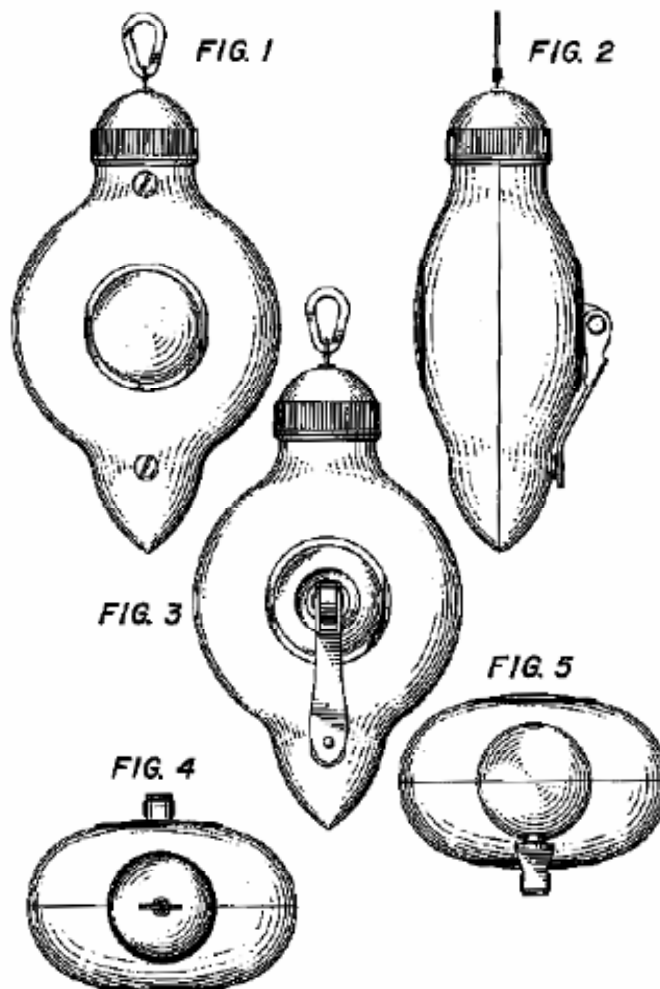


FIG. 1 is a view of one side of the combined chalk
line marker and plumb line showing my new design;
FIG. 2 is a side view;
FIG. 3 is a view of the other side thereof;
FIG. 4 is a top plan view thereof; and
FIG. 5 is a bottom plan view thereof.
Both sides have the appearance shown by FIG. 2.

I claim:

The ornamental design for a combined chalk line
marker and plumb line or similar article, substantially as
shown and described.

References Cited by the Examiner

UNITED STATES PATENTS

| | | | |
|-----------|--------|---------------|--------|
| 409,917 | 8/1889 | Cameron | 33-216 |
| 1,349,565 | 8/1920 | Ewing et al. | 33-217 |
| 2,589,500 | 3/1952 | Landon et al. | 33-87 |

WALLACE R. BURKE, *Primary Examiner.*

JOSEPH COOPERSMITH, *Assistant Examiner.*