

PATENT NEWS especially for PLUMB BOB COLLECTORS

WR PATENT NEWS # 2007-09

Patent US2370674 LUCIA 1945
FILTERING DEVICE

PATENT GB520068 ANDREASEN 1940
US citizen from Illinois USA
VALVE MEANS

This time I have something to smile. I will not speak about patented PLUMB BOBS, but about tools that were OFFERED, SOLD and BOUGHT as “patented plumb bobs” ☺

The first example was offered on Ebay by a seller in Israel two years ago as “**patented GLASS PLUMB BOB**”.

All collectors are searching for a glass plumb bob but never we did find one.

If you have seen a real glass plumb bob, please let me know!



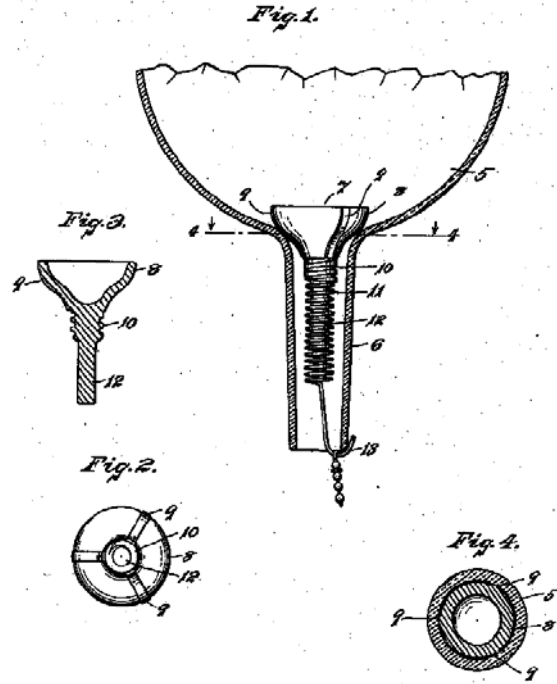
PATENT NEWS especially for PLUMB BOB COLLECTORS

Here are the **facts**: It is a part of a COFFEE FILTER used upside down ☺ .
Details you can find in the original patent send as supplements email.

March 6, 1945.

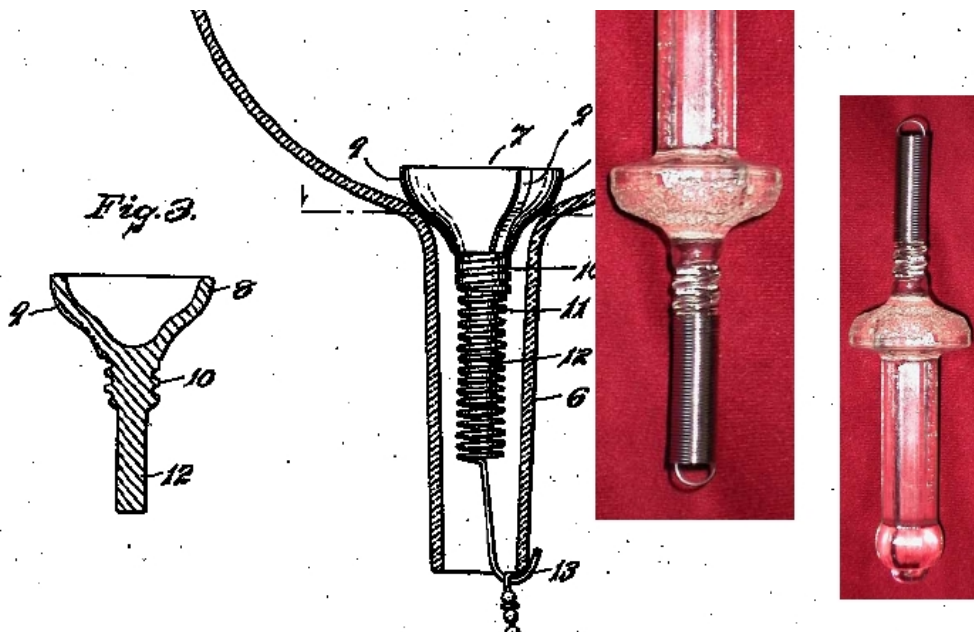
L. V. LUCIA
FILTERING DEVICE
Filed Oct. 3, 1941

2,370,674



INVENTOR.

Louis V. Lucia



PATENT NEWS especially for PLUMB BOB COLLECTORS

In the 2006 catalogue from Tony Murland I found on page 46 #531 a "A 3 brass plumb bob marked LARBATX LTD (?) PAT 520068 G++ (50-70)".

It is described in the British patent GB520068 from 1940:

531



A 3" brass plumb bob marked 'LARBATX LTD (?) PAT 520068 G++ (50-70)

Patent GB520068
ANDREASEN 1940

invention

- 10 This invention relates to improvements in valve means, and it has for an object the production of improved valve means whereby a valve may be operated in an improved and highly simple manner to
- 15 turn on or shut off a flow of fluid or liquid such as air or water or the like.

- Another object has been to provide a valve which is inexpensive to manufacture and simple to assemble, and one
- 20 which will not have a number of parts requiring constant repair.

- According to the present invention I provide valve means comprising a valve disposed within a housing, a bendable
- 25 conduit for the housing and means operable by the bending of the conduit to open the valve, said means comprising a rockable element connected to the valve by a universal joint, the rockable element
- 30 being adapted to be rocked by the bending of the conduit to open the valve. The present invention provides a valve which is normally closed, but which may be
- 35 opened by merely slightly bending the conduit or the flexing thereof, as for example when the conduit comprises a flexible connection such as a hose. In my construction, the water, for example, will be turned on during the time that
- 40 the bend is in existence and will be automatically shut off when the parts are allowed to return to unbent or normal condition.

PATENT NEWS especially for PLUMB BOB COLLECTORS

That you can see clearly this part in the drawing, I have marked it in **RED**:

520,068 COMPLETE SPECIFICATION

[This Drawing is a reproduction of the Original on a reduced scale.]

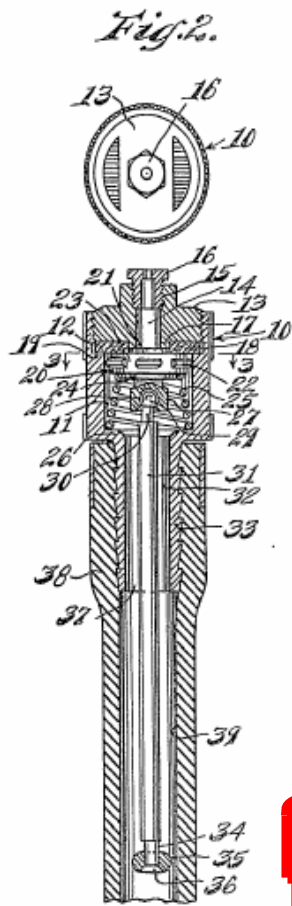
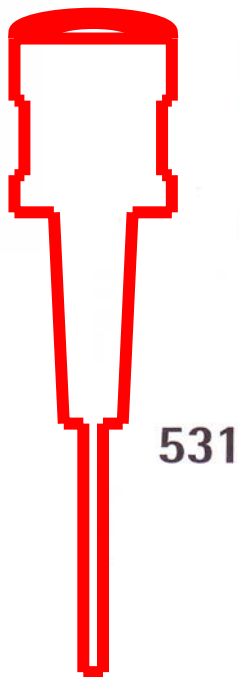


Fig. 1.



520,068 COMPLETE SPECIFICATION

[This Drawing is a reproduction of the Original on a reduced scale.]

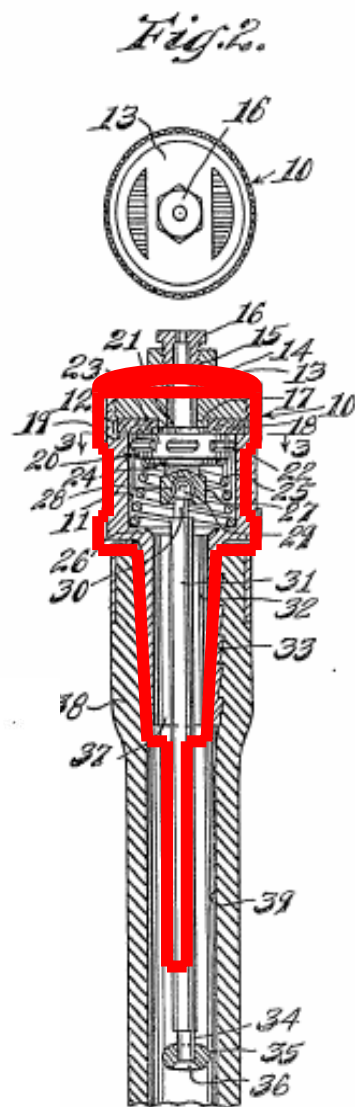


Fig. 1.