

PATENT NEWS FOR PLUMB BOB COLLECTORS

WR Plumb bob collectors PATENT NEWS # 2007-05

Today I present

- the FRENCH patent FR408828 CAMION FRERES 1909
- and similar US patents from
- 1892 FULLER, 1899 NACKE, 1912 PAUL and 1963 BEAN

All these patents have to do with **RETRACTABLE TIP**.

As always you will find the complete original files attached to the email.

RÉPUBLIQUE FRANÇAISE.

OFFICE NATIONAL DE LA PROPRIÉTÉ INDUSTRIELLE.

BREVET D'INVENTION.

XII. — Instruments de précision, électricité.
3. — POIDS ET MESURES, INSTRUMENTS DE MATHÉMATIQUES, COMPTEURS
ET PROCÉDÉS D'ESSAI.

N° 408.828

Nouveau plomb pour architectes.
SOCIÉTÉ CAMION FRÈRES résidant en France (Ardennes).
Demandé le 11 novembre 1909.
Délivré le 2 février 1910. — Publié le 6 avril 1910.

N° 408.828 Société Camion frères Pl. unique

This French patent shows an Architect plumb bob with a **retractable tip** (not to protect the tip, but to protect the **trouser pocket** of the Architects).

I found this plumb bob in two catalogues only:

CAMION FRERES France from 1912 and



FORGES DES



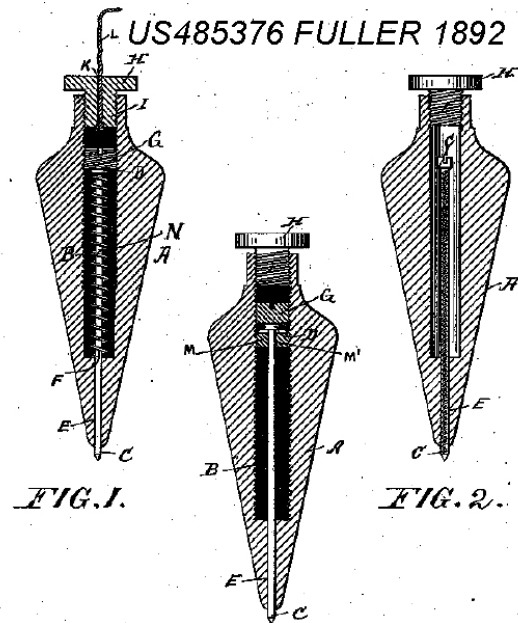
VULCAIN France 1914

Later I did not find anything similar in France. Perhaps it was not a best seller.

PATENT NEWS FOR PLUMB BOB COLLECTORS

The FULLER patent US485376 1892 says:

“..... the object of my invention is to furnish a plumb bob with an extensible point which may be advanced from time as its extremity is worn away.....”



The NACKE patent US630262 1899 says:

To all whom it may concern:

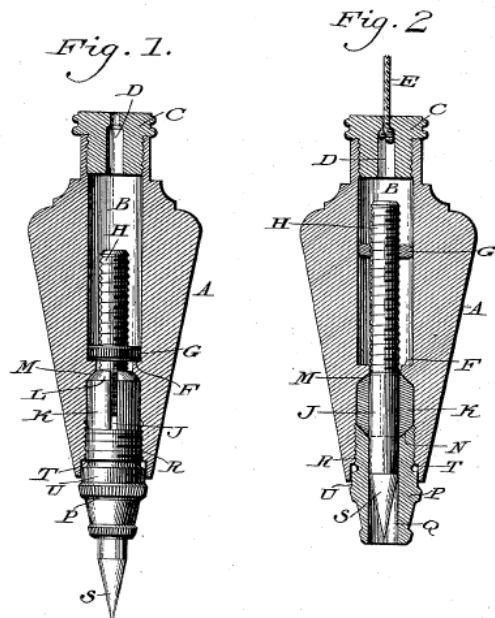
Be it known that I, ARNOLD NACKE, a citizen of the United States, residing in the city and county of Philadelphia, State of Pennsylvania, have invented a new and useful Improvement in Plumb-Bobs, which improvement is fully set forth in the following specification and accompanying drawings.

My invention consists of an improved construction of plumb-bob which is provided with a movable pin which can be used either tight or loose while in work, said pin being readily removable in case of accident or for the purpose of inspection or repairs, the point of which being adjustable to any desired length by means of an adjusting-nut or other similar device.

It also consists of means for allowing the pin to retreat into the body of the plumb-bob and of means for tightening the jaws engaging said pin by means of a suitable thumb-screw, whereby the point can be securely held in position interiorly of said body, which latter can then be carried in the pocket without danger of inflicting injury, the pin being permitted to drop into operative position upon proper manipulation of the tightening-screw, whereby the jaws are opened and the pin released.

It further consists of novel details of construction, all as will be hereinafter fully set forth, and particularly pointed out in the claims.

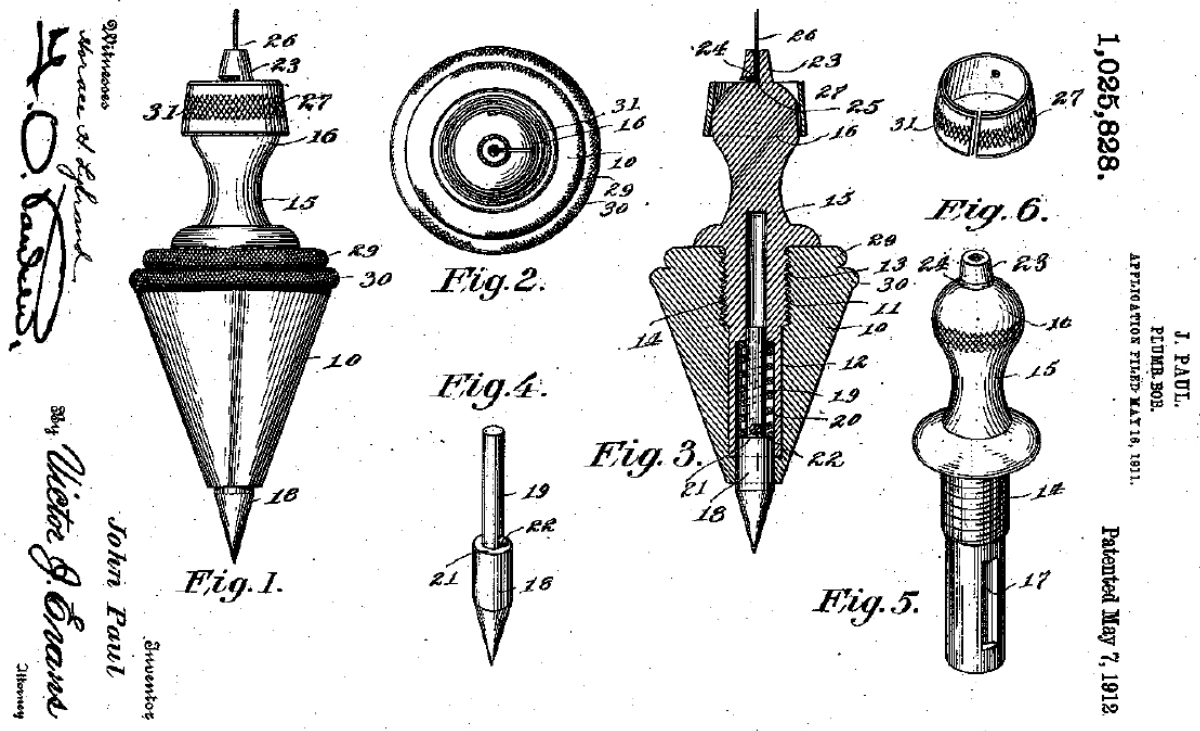
No. 630,262. A. NACKE. Patented Aug. 1, 1899.
PLUMB BOB.
(Application filed Mar. 14, 1899.)
(No Model.)



PATENT NEWS FOR PLUMB BOB COLLECTORS

The PAUL patent US1025828 1912 says:

“The primary object of the invention is the provision of a plumb ob in which the tip thereof is so mounted that the same **may recoil when meeting an obstruction.....**
....Another object of the invention is the provision of a bob in which the suspension member thereof when not in use **is prevented from being snarled or tangled....**
...**the weight and size thereof may be** readily **increased** or decreased **according to the character of work** with which the same is to be employed...
.... A still further object of a bob which is **simple in construction**, thoroughly reliable and efficient in operation, and **inexpensive** in manufacture.....



PATENT NEWS FOR PLUMB BOB COLLECTORS

The BEANS patent US3113387 1963 says:

“... the invention lies in specific constructional details which **increase the useful life of the device...**

...if the same is accidental dropped...it will become damaged. ... In conventional construction, the point is normally a part of the entire body of the device so that a replacement is not possible.

...a plumb bob **having a retractable point** which may be moved to a position within the body of the plumb bob wherein **accidental dropping** of the same **will not result in damage to the point.**

... still another object...is provided for **selectively locking the point within the body** of the plumb bob for **carrying**, or **storing** the same in condition whereby accidental damage to the point cannot occur.

.. the **cost of fabrication** may be of a reasonably **low** order, with consequent **wide sale, distribution and use...**

.. A feature of the invention lies in the provision of **interchangeable upper plumb bob bodies**, wherein the **weight of a plumb bob may be adjusted** to suit individual requirement.”

